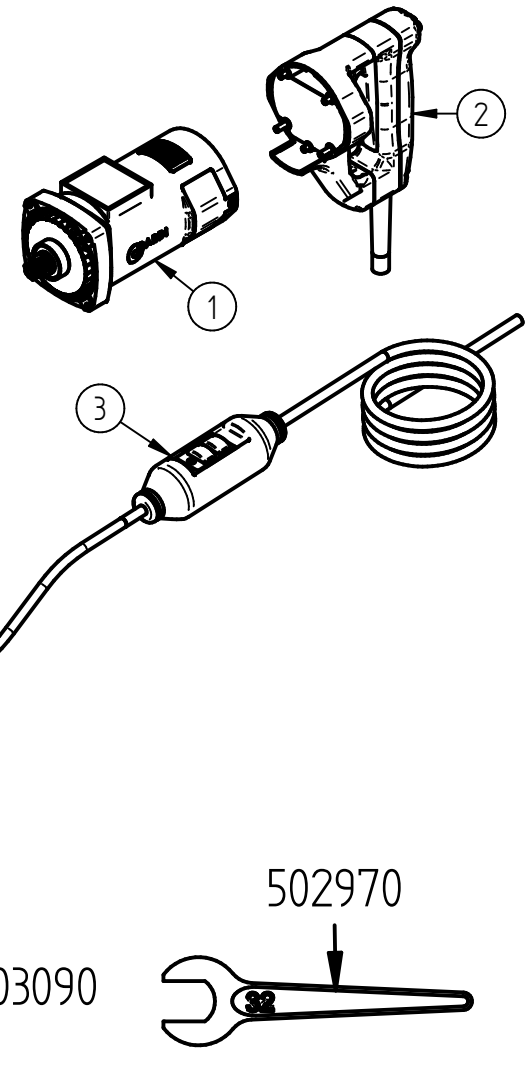


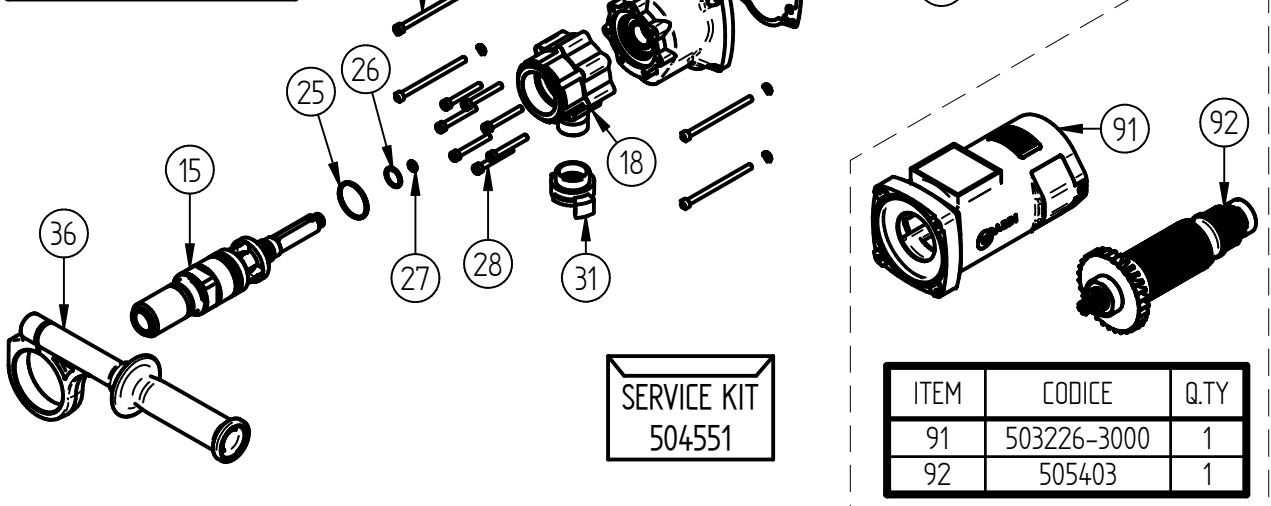
| ITEM | CODICE | Q.TY |
|------|-------------|------|
| 1 | 505405-3000 | 1 |
| 2 | 506364 | 1 |
| 3 | 503392 | 1 |
| 4 | 506050 | 1 |
| 5 | 504207 | 1 |
| 6 | 500101 | 1 |



| ITEM | CODICE | Q.TY |
|------|--------|------|
| 11 | 505282 | 1 |
| 12 | 502452 | 1 |
| 13 | 502380 | 1 |
| 14 | 502406 | 1 |
| 15 | 503871 | 1 |
| 16 | 505283 | 1 |
| 17 | 502416 | 1 |
| 18 | 504063 | 1 |
| 19 | 505873 | 1 |
| 20 | 502435 | 1 |
| 21 | 500120 | 1 |
| 22 | 500119 | 1 |
| 23 | 500099 | 1 |
| 24 | 500100 | 1 |

| ITEM | CODICE | Q.TY |
|------|--------|------|
| 25 | 500141 | 1 |
| 26 | 500098 | 1 |
| 27 | 500035 | 1 |
| 28 | 505727 | 7 |
| 29 | 500048 | 4 |
| 30 | 500750 | 4 |
| 31 | 503365 | 1 |
| 32 | 506554 | 2 |

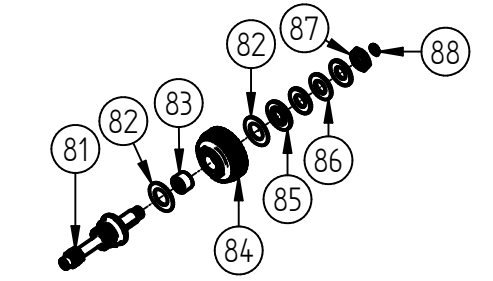
| ITEM | CODICE | Q.TY |
|------|--------|------|
| 33 | 502360 | 1 |
| 34 | 500179 | 2 |
| 35 | 502361 | 1 |
| 36 | 502143 | 1 |
| 37* | 506629 | 1 |
| 38* | 506639 | 1 |
| 39* | 503876 | 1 |
| 40* | 506628 | 3 |



| ITEM | CODICE | Q.TY |
|------|-------------|------|
| 91 | 503226-3000 | 1 |
| 92 | 505403 | 1 |

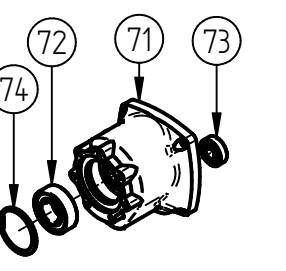
SERVICE KIT
504551

| ITEM | CODICE | Q.TY | ITEM | CODICE | Q.TY |
|------|--------|------|------|--------|------|
| 161 | 503866 | 1 | 164 | 504061 | 1 |
| 162 | 504106 | 1 | 165 | 501609 | 1 |
| 163 | 502868 | 2 | 166 | 502211 | 2 |



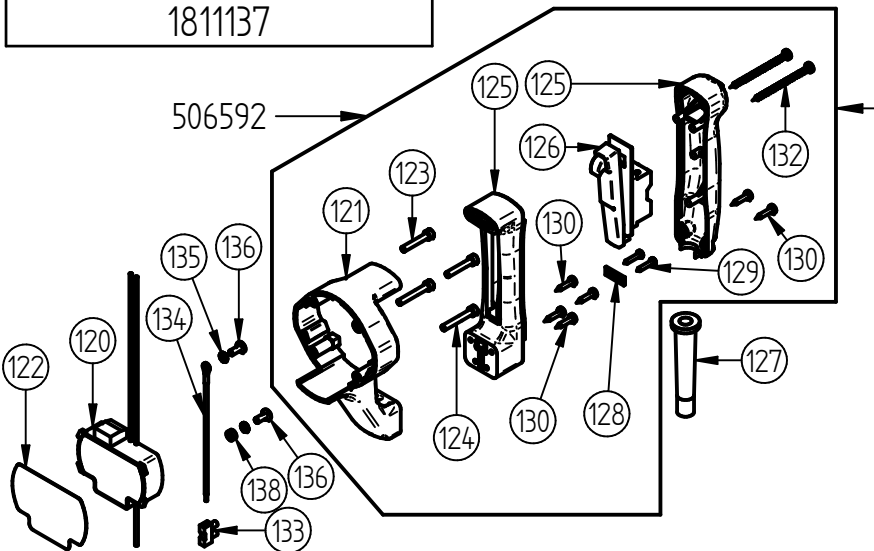
| ITEM | CODICE | Q.TY |
|------|--------|------|
| 81 | 503870 | 1 |
| 82 | 500103 | 2 |
| 83 | 500027 | 1 |
| 84 | 503435 | 1 |
| 85 | 506546 | 1 |
| 86 | 502425 | 3 |
| 87 | 502424 | 1 |
| 88 | 500035 | 1 |

| ITEM | CODICE | Q.TY |
|------|--------|------|
| 61 | 502451 | 1 |
| 62 | 500252 | 1 |
| 63 | 500322 | 1 |



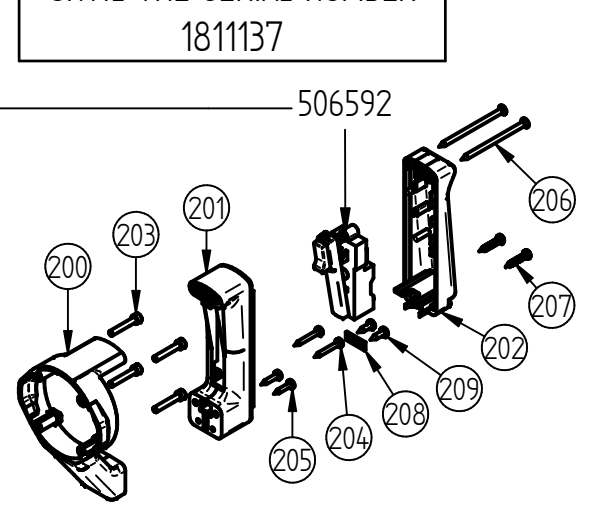
| ITEM | CODICE | Q.TY |
|------|--------|------|
| 71 | 503867 | 1 |
| 72 | 501747 | 1 |
| 73 | 500030 | 1 |
| 74 | 502988 | 1 |

FROM THE SERIAL NUMBER
1811137

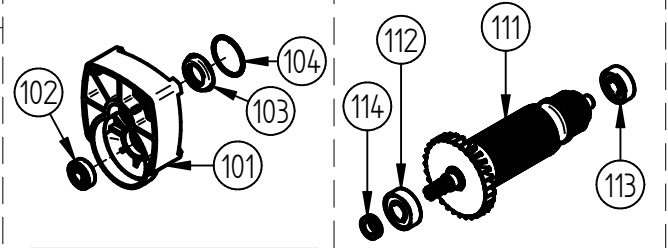


| ITEM | CODICE | Q.TY | ITEM | CODICE | Q.TY | ITEM | CODICE | Q.TY |
|------|--------|------|------|--------|------|------|--------|------|
| 120 | 503224 | 1 | 126 | 506280 | 1 | 133 | 503249 | 1 |
| 121 | 506281 | 1 | 127 | 501157 | 1 | 134 | 503248 | 1 |
| 122 | 503237 | 1 | 128 | 501156 | 1 | 135 | 503245 | 2 |
| 123 | 500903 | 2 | 129 | 500004 | 2 | 136 | 501729 | 2 |
| 124 | 500190 | 2 | 130 | 503250 | 6 | 138 | 503251 | 1 |
| 125 | 506550 | 1 | 132 | 505874 | 2 | | | |

UNTIL THE SERIAL NUMBER
1811137



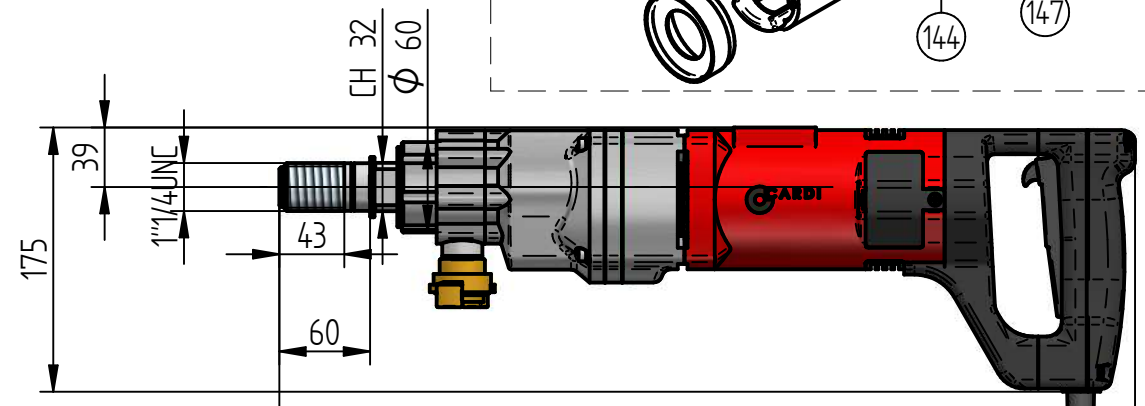
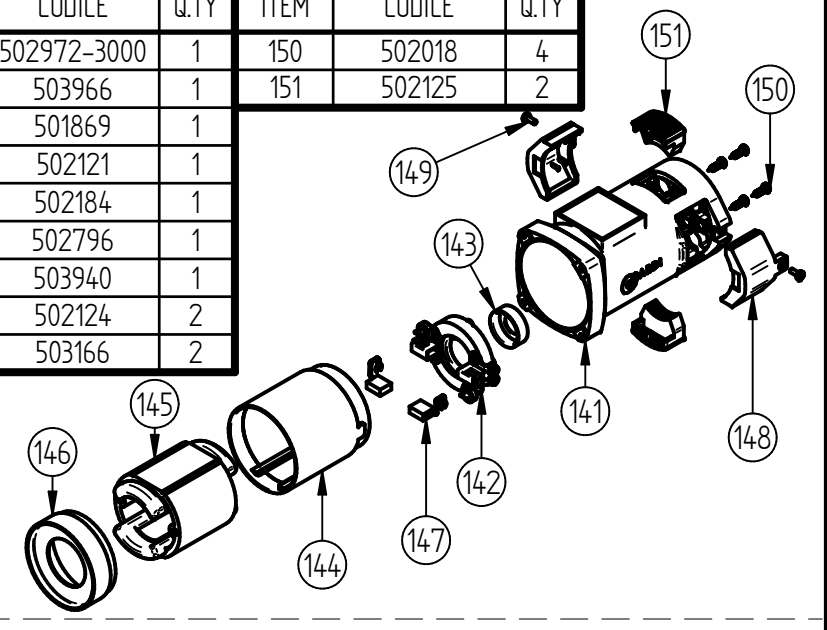
| ITEM | CODICE | Q.TY | ITEM | CODICE | Q.TY |
|------|--------|------|------|--------|------|
| 200 | 503242 | 1 | 205 | 503250 | 2 |
| 201 | 503637 | 1 | 206 | 503246 | 2 |
| 202 | 503636 | 1 | 207 | 501850 | 2 |
| 203 | 500903 | 4 | 208 | 501156 | 1 |
| 204 | 503247 | 2 | 209 | 501155 | 2 |



| ITEM | CODICE | Q.TY |
|------|--------|------|
| 101 | 502021 | 1 |
| 102 | 500030 | 1 |
| 103 | 501821 | 1 |
| 104 | 500245 | 1 |

| ITEM | CODICE | Q.TY |
|------|--------|------|
| 111 | 505401 | 1 |
| 112 | 500210 | 1 |
| 113 | 501750 | 1 |
| 114 | 505520 | 1 |

| ITEM | CODICE | Q.TY | ITEM | CODICE | Q.TY |
|------|-------------|------|------|--------|------|
| 141 | 502972-3000 | 1 | 150 | 502018 | 4 |
| 142 | 503966 | 1 | 151 | 502125 | 2 |
| 143 | 501869 | 1 | | | |
| 144 | 502121 | 1 | | | |
| 145 | 502184 | 1 | | | |
| 146 | 502796 | 1 | | | |
| 147 | 503940 | 1 | | | |
| 148 | 502124 | 2 | | | |
| 149 | 503166 | 2 | | | |



T2200 ME-24 (230V)

566